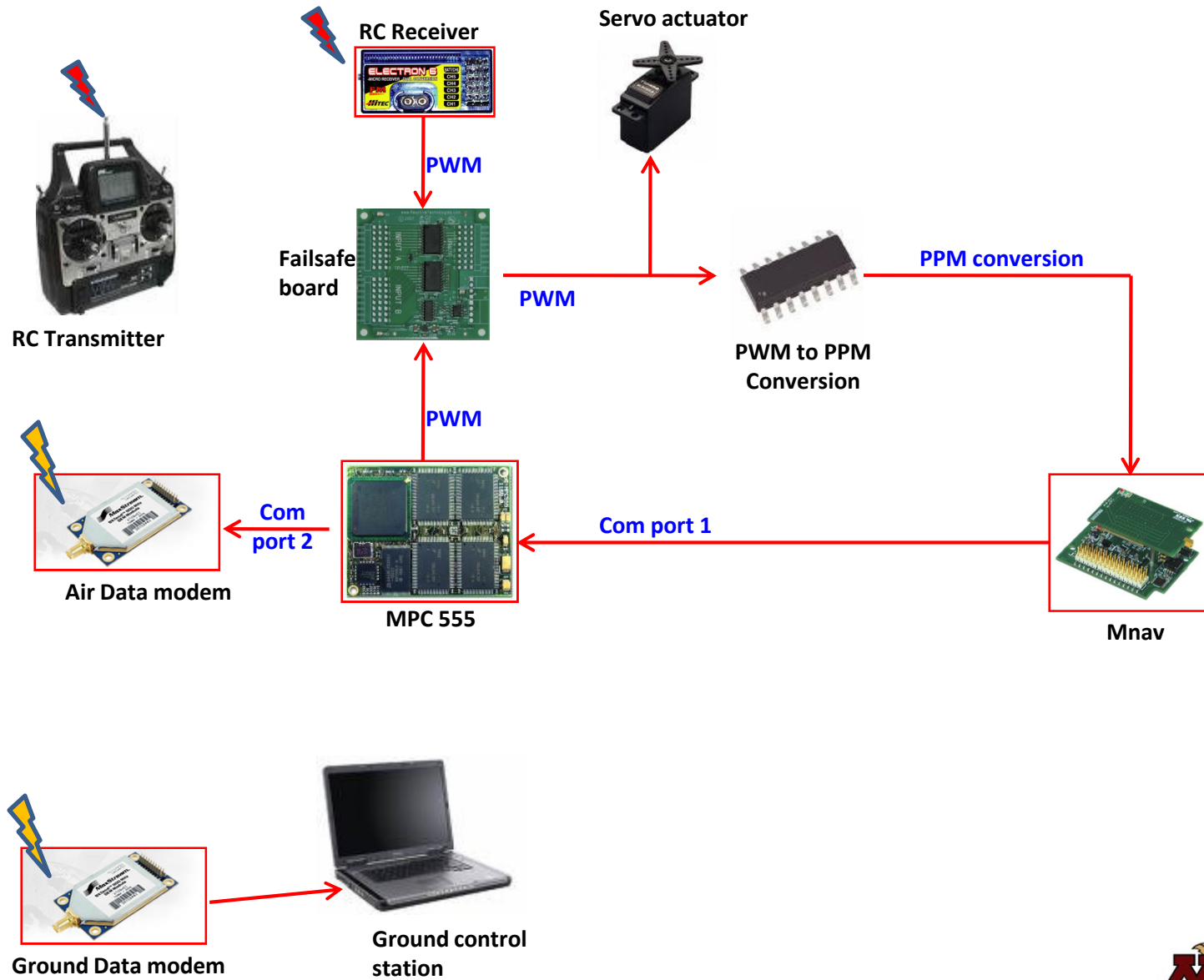
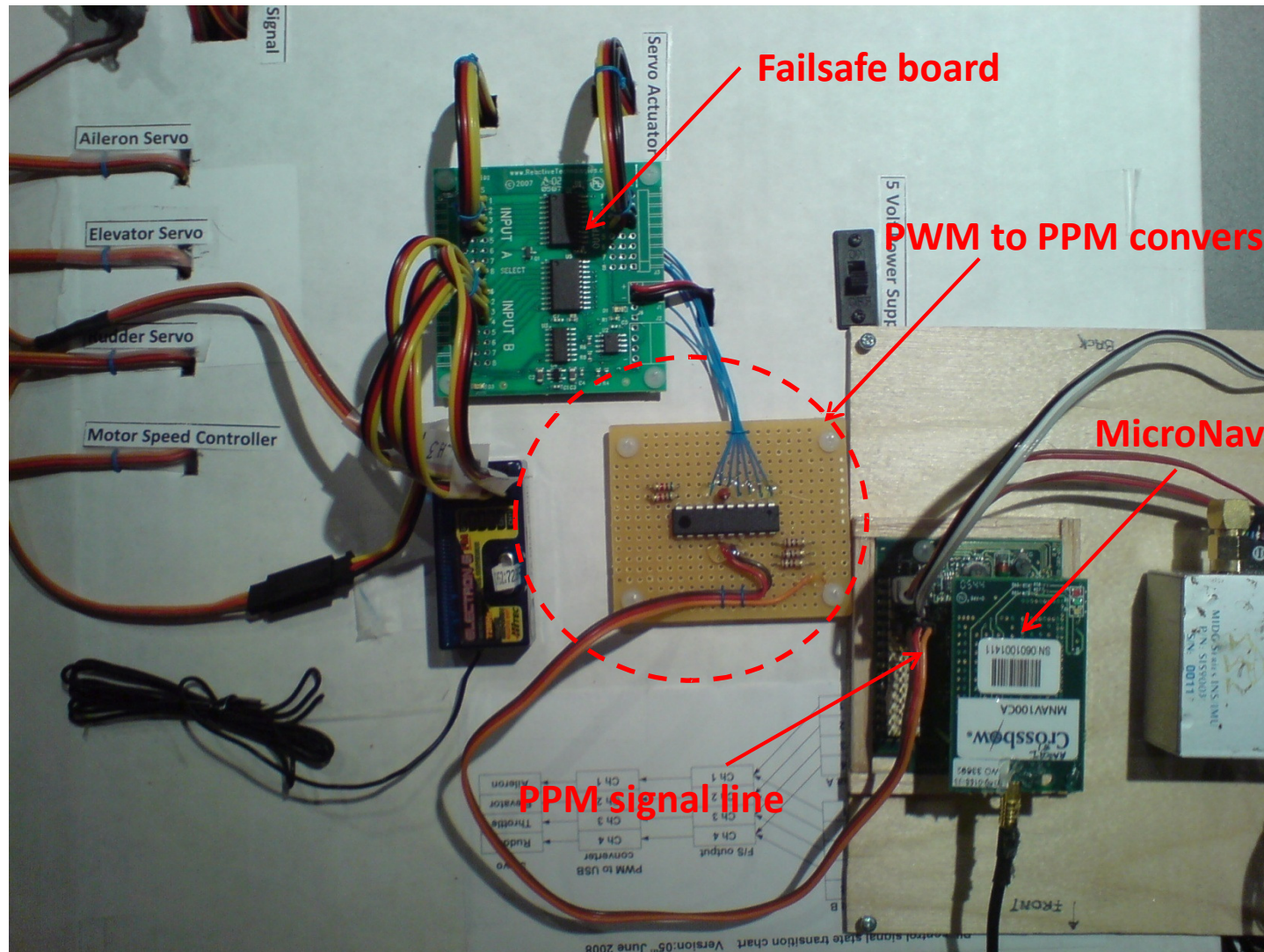


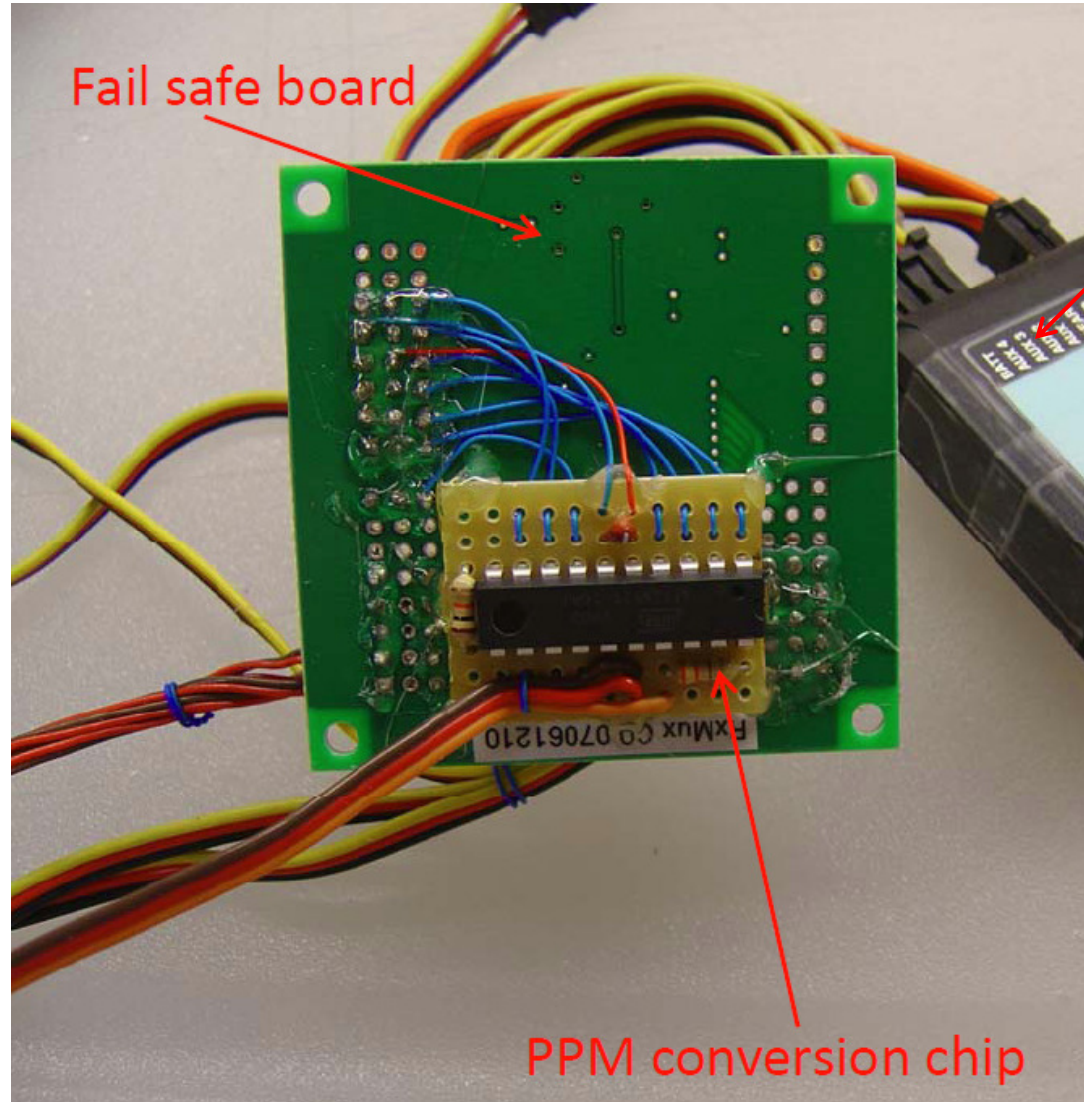
Ultrastick UAV 2008 Setup



Picture



PPM integration to FS board



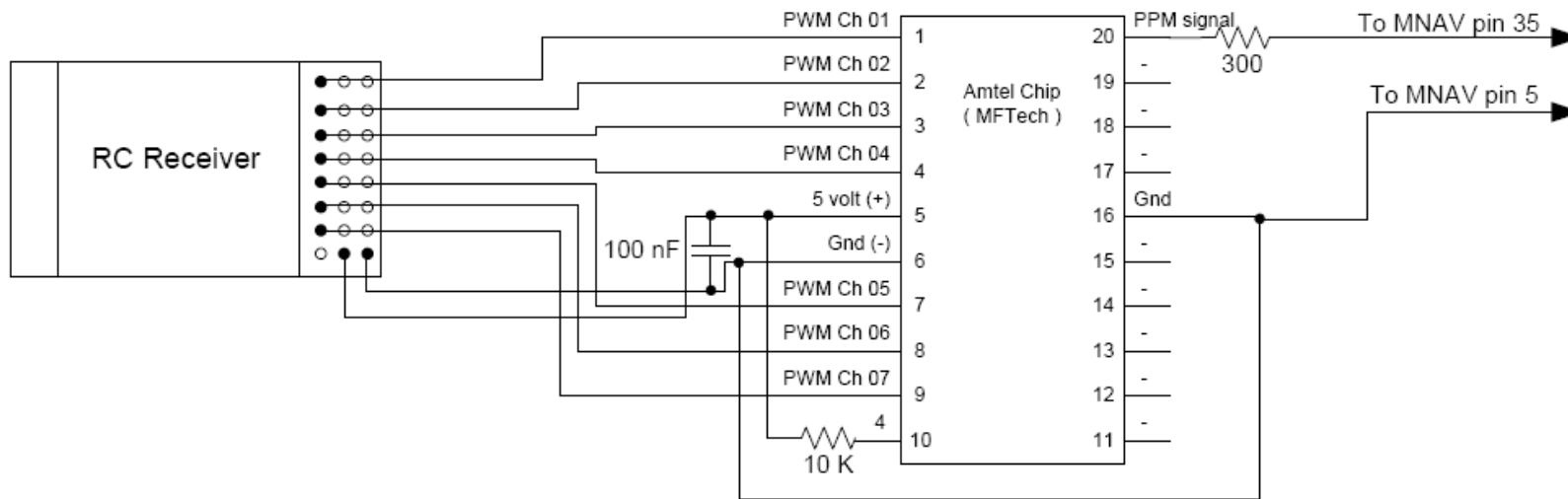
Fail safe board

RC Receiver

PPM conversion chip



Circuit Diagram for PPM conversion



The Amtel microprocessor chip from MFTech is able to convert 7 channels of PWM servo signal to a single PPM signal where it can be plugged into pin 35 of the Micronav sensor module. This provides the flexibility of using any type of RC transmitter system such as the PCM/SPCM and 2.4Ghz system, not just the existing PPM system, for the Micronav to get the PPM signal from the RC receiver.

The microprocessor chip has been preprogrammed and is available from MFTech:
http://www.mftech.de/index_en.htm

