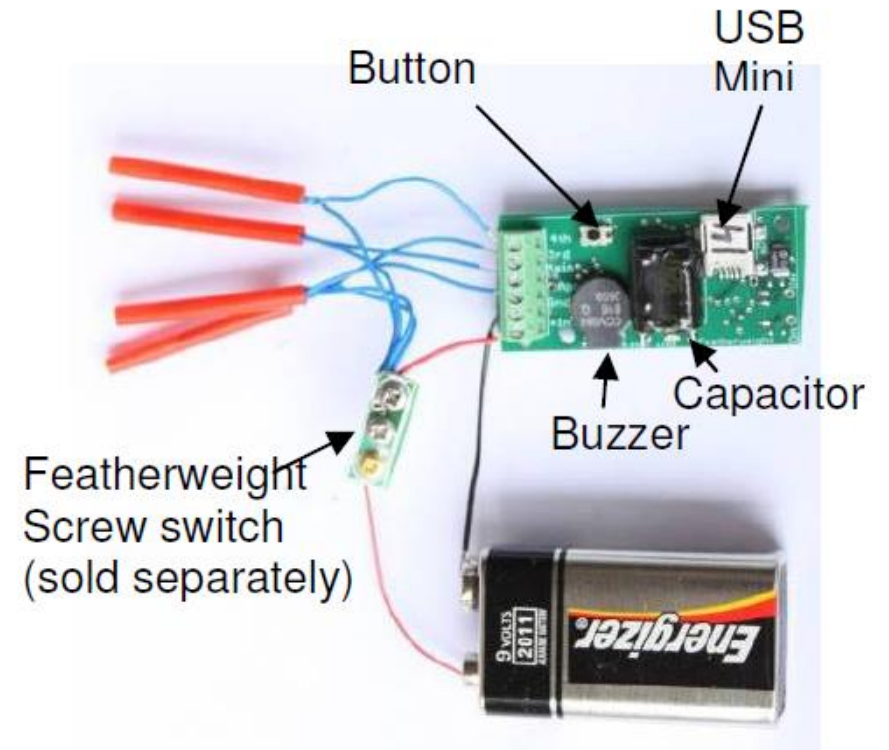
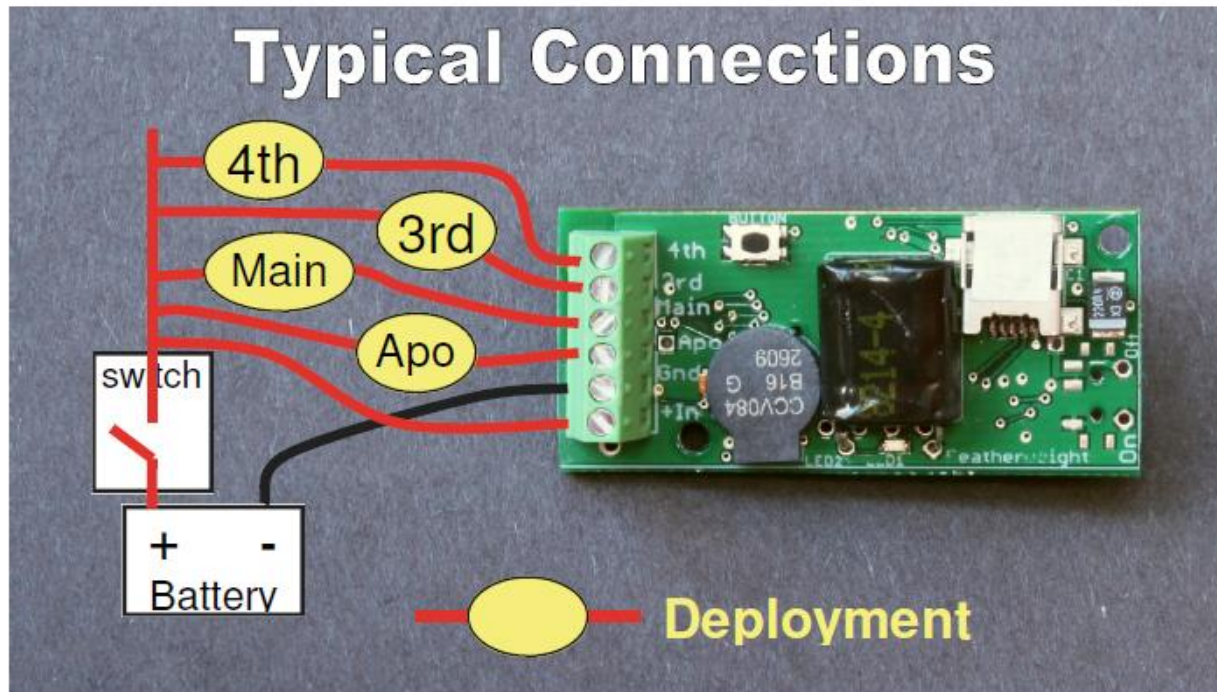


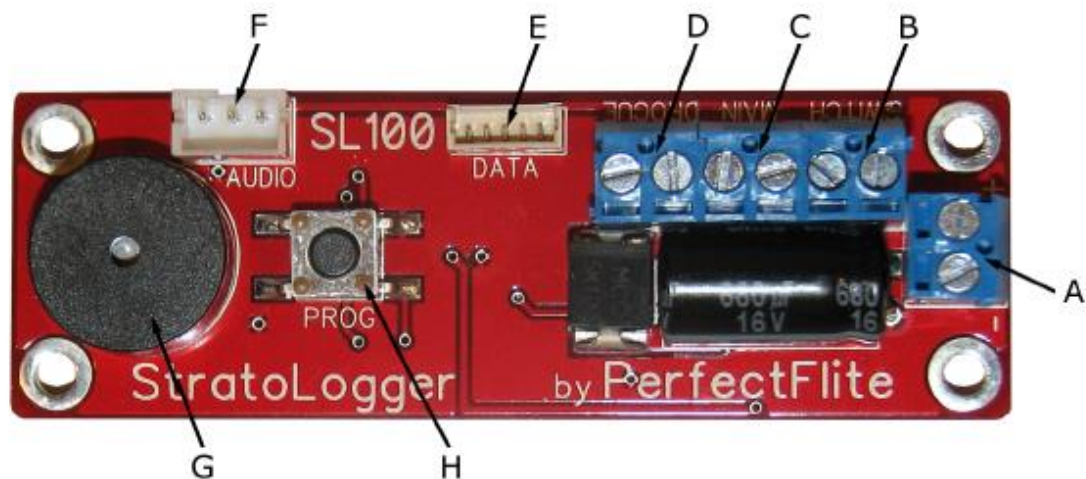
Deployment Connections:

The following diagram and picture show how to connect the Raven for deployments, using a single switch that turns on the unit and arms the deployment charges:



Parts Identification

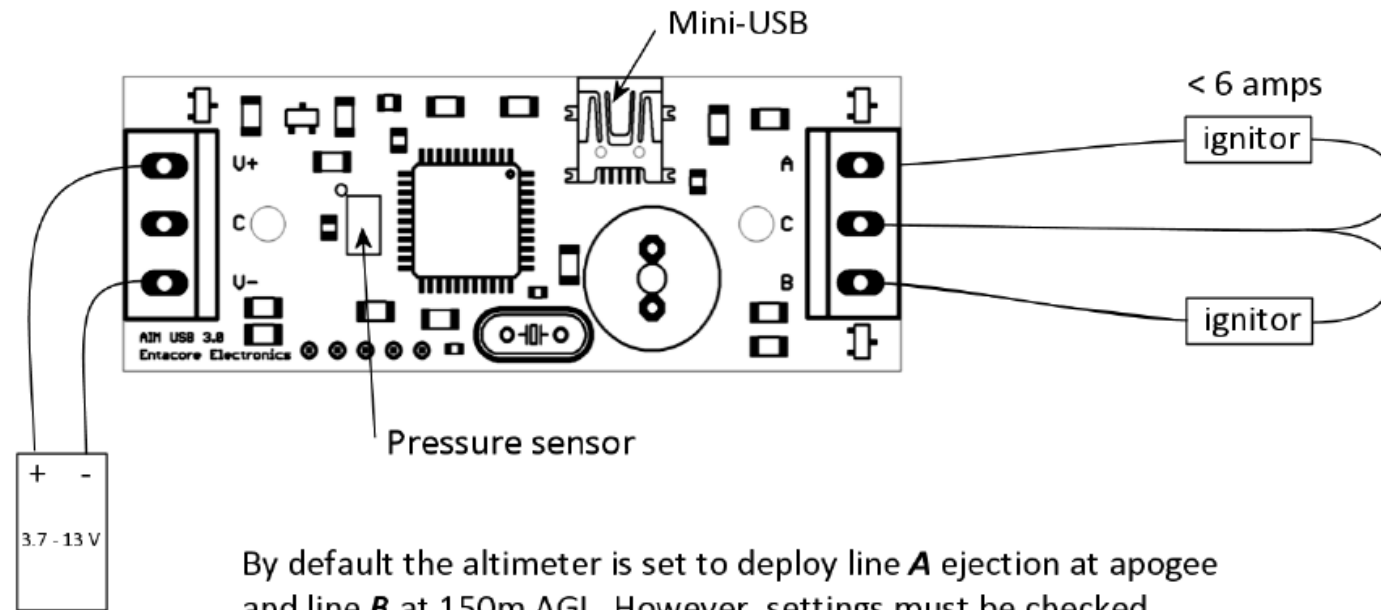
Refer to the picture below to locate the following items:



- A) **Battery Terminal Block:** Connect a 4 volt to 16 volt power source here. A 9V battery clip is supplied, connect red to "+" and black to "-". *Polarity (+/-) must be correct or altimeter will not power up. Reverse polarity will not damage the altimeter.*
- B) **Power switch Terminal Block:** Remove factory supplied jumper and connect a power switch here. *Must be connected to an external switch or shorted with a jumper or the altimeter will not power up.*
- C) **Main Ejection Output Terminal Block:** Connect to the electric match for the main deployment charge (if used), or leave unconnected otherwise. **DO NOT SHORT CIRCUIT!**
- D) **Drogue Ejection Output Terminal Block:** Connect to the electric match for the drogue/apogee deployment charge (if used), or leave unconnected otherwise. **DO NOT SHORT CIRCUIT!**
- E) **Data I/O Connector:** For connection of the optional data transfer kit or user-supplied in-flight telemetry equipment.
- F) **External Audio Connector:** For connection of an optional remote beeper or LED.
- G) **Beeper:** Audibly reports settings, status, etc. via a sequence of beeps.
- H) **Preset Program Button:** For selecting and modifying the 9 user settings presets (see pages 20-22).

From: https://www.apogeerockets.com/downloads/PDFs/AIM3_Manual_3.01.pdf

Hardware Installation



By default the altimeter is set to deploy line **A** ejection at apogee and line **B** at 150m AGL. However, settings must be checked.

Figure 2.1: Standard configuration